

# Burrs

Hartmetallfrässtifte / Fraises limés / Fresas rotativas de metal duro

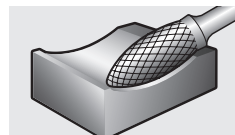
**Garryson®**  
Abrasives, Burrs & Routers

## Flame

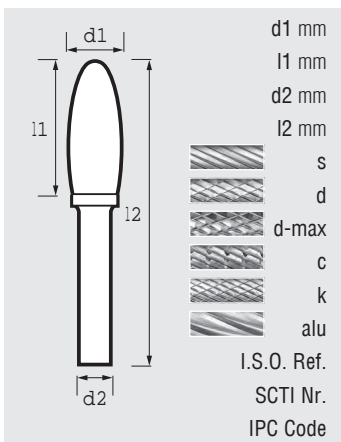
Flammenform

Flamme

Llama



H



	3	6	8	12	12	16	16
d1 mm	3	6	8	12	12	16	16
l1 mm	8	14	19	32	32	36	36
d2 mm	3	6	6	6	8	6	8
l2 mm	38	50	65	77	77	80	80
s	GT5200	GT5400	GT5550	GT5600	GT5600-8	-	-
d	GT5200D	GT5400D	GT5550D	GT5600D	GT5600D-8	GT5850D-6	GT5850D
d-max	-	-	-	GTDX560	-	-	-
c	-	-	GT5550C	GT5600C	-	-	-
k	-	-	GT5550K	GT5600K	-	-	-
alu	-	-	-	-	-	-	-
I.S.O. Ref.	H030803	H061406	H081906	H123206	H123208	H162606	H163608
SCTI Nr.	SH-41M	SH-1M	SH-2M	SH-5M	SH-5M8	SH-6M	SH-6M8
IPC Code	49	25	25	25	25	25	25

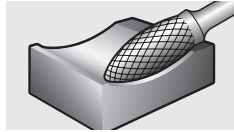


## RAPIDE® Coated burrs - Flame

RAPIDE® Flammenform

RAPIDE® Flamme

RAPIDE® Llama



3	6	8	12	12	16	16
8	14	19	32	32	36	36
3	6	6	6	8	6	8
38	50	65	77	77	80	80
GCZ5200	GCZ5400	GCZ5550	GCZ5600	GCZ5600-8	-	-
GCZ5200D	GCZ5400D	GCZ5550D	GCZ5600D	GCZ5600D-8	GCZ5850D-6	GCZ5850D
-	-	-	GCZDX560	-	-	-
-	-	GCZ5550C	GCZ5600C	-	-	-
-	-	GCZ5550K	GCZ5600K	-	-	-
-	-	-	-	-	-	-
H030803	H061406	H081906	H123206	H123208	H162606	H163608
SH-41M	SH-1M	SH-2M	SH-5M	SH-5M8	SH-6M	SH-6M8
22	22	22	22	22	22	22

d1 mm  
l1 mm  
d2 mm  
l2 mm  
s- RAPIDE-D  
d- RAPIDE-D  
d-max RAPIDE-D  
c- RAPIDE-D  
k- RAPIDE-D  
alu- RAPIDE-A  
I.S.O. Ref.  
SCTI Nr.  
IPC Code

\* Additional lead times may apply on coated burrs.  
Längere Lieferzeiten dürfen mit beschichteten Hartmetallfrässtiften gefen.

\* Délais de livraison peuvent être plus longs pour les fraises limes revêtues.  
Las fresas recubiertas pueden tener un plazo de entrega más largo.