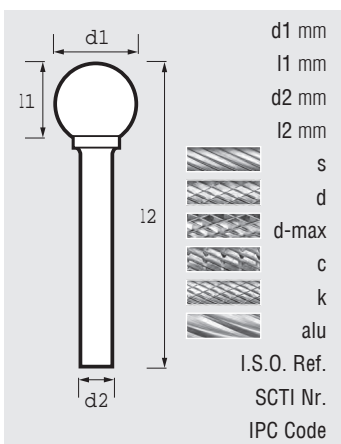
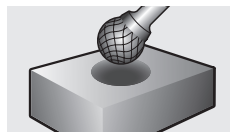


Burrs

Hartmetallfrässtifte / Fraises limés / Fresas rotativas de metal duro

Ball

Kugelform
Sphérique
Esférica



d1 mm	2.5	3	3	4	5	5	6	6	8	10
l1 mm	2.3	2.7	2.5	3.6	4.7	4.7	5.4	5.4	7.2	9
d2 mm	3	3	6	3	3	6	3	6	6	6
l2 mm	38	38	50	45	38	50	38	50	52	53
s	GT7100	GT7200	GT7200-6	GT7300	GT7350	GT7350-6	GT7240	GT7400	GT7500	GT7600
d	GT7100D	GT7200D	GT7200D-6	GT7300D	GT7350D	GT7350D-6	GT7240D	GT7400D	GT7500D	GT7600D
d-max	-	-	-	-	-	-	-	-	-	GTDX760
c	-	GT7200C	-	-	-	-	GT7240C	-	GT7500C	GT7600C
k	-	GT7200K	-	-	-	-	GT7240K	GT7400K	GT7500K	GT7600K
alu	-	-	-	-	-	-	-	GTTA740	-	GTTA760
I.S.O. Ref.	-	D030303	D030306	D040403	D050503	D050506	D060603	D060606	D080806	D101006
SCTI Nr.	SD-41M	SD-42M	SD-11M	SD-52M	SD-53M	SD-14M	SD-51M	SD-1M	SD-2M	SD-3M
IPC Code	49	49	25	49	49	25	49	25	25	25

d1 mm	11	12	12	16	16	19	19
l1 mm	9.9	10.8	10.8	14.4	14.4	17.1	17.1
d2 mm	6	6	8	6	8	6	8
l2 mm	54	55	55	60	60	63	63
s	-	GT7700	GT7700-8	GT7800	GT7800-8	GT7900-6	GT7900
d	GT7650D	GT7700D	GT7700D-8	GT7800D	GT7800D-8	GT7900D-6	GT7900D
d-max	-	GTDX770	-	-	-	-	-
c	-	GT7700C	-	-	-	-	-
k	-	GT7700K	-	-	-	-	-
alu	-	GTTA770	GTTA770-8	GTTA780-6	GTTA780	-	-
I.S.O. Ref.	D111106	D121206	D121208	D161606	D161608	D191906	D191908
SCTI Nr.	SD-4M	SD-5M	SD-5M8	SD-6M	SD-6M8	SD-7M	SD-7M8
IPC Code	25	25	25	25	25	25	25

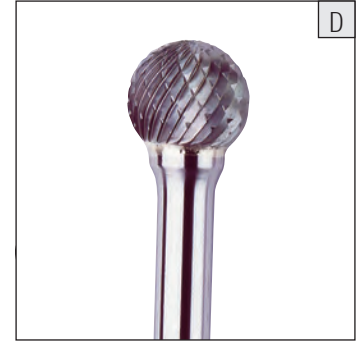
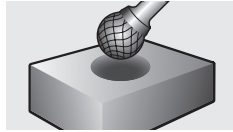


RAPIDE® Coated burrs - Ball

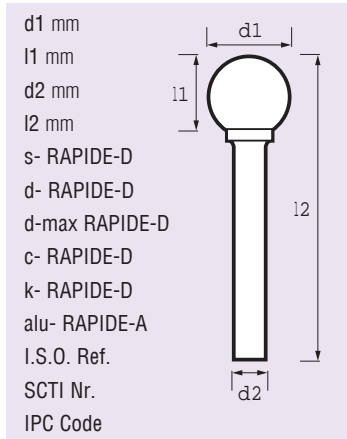
RAPIDE® Kugelform

RAPIDE® Sphérique

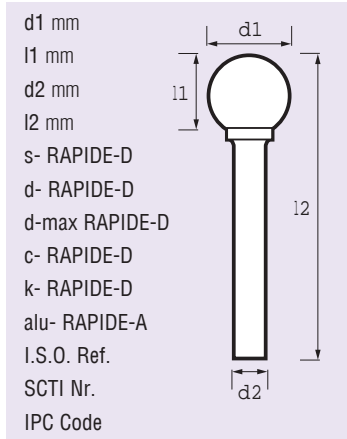
RAPIDE® Esférica



2.5	3	3	4	5	5	6	6	8	10
2.3	2.7	2.5	3.6	4.7	4.7	5.4	5.4	7.2	9
3	3	6	3	3	6	3	6	6	6
38	38	50	45	38	50	38	50	52	53
GCZ7100	GCZ7200	GCZ7200-6	GCZ7300	GCZ7350	GCZ7350-6	GCZ7240	GCZ7400	GCZ7500	GCZ7600
GCZ7100D	GCZ7200D	GCZ7200D-6	GCZ7300D	GCZ7350D	GCZ7350D-6	GCZ7240D	GCZ7400D	GCZ7500D	GCZ7600D
-	-	-	-	-	-	-	-	-	GCZDX760
-	GCZ7200C	-	-	-	-	GCZ7240C	-	GCZ7500C	GCZ7600C
-	GCZ7200K	-	-	-	-	GCZ7240K	GCZ7400K	GCZ7500K	GCZ7600K
-	-	-	-	-	-	-	GCZTA740	-	GCZTA760
-	D030303	-	D040403	-	-	D060603	D060606	D080806	D101006
SD-41M	SD-42M	SD-11M	SD-52M	SD-53M	SD-14M	SD-51M	SD-1M	SD-2M	SD-3M
22	22	22	22	22	22	22	22	22	22



11	12	12	16	16	19	19
9.9	10.8	10.8	14.4	14.4	17.1	17.1
6	6	8	6	8	6	8
54	55	55	60	60	63	63
-	GCZ7700	GCZ7700-8	GCZ7800	GCZ7800-8	GCZ7900-6	GCZ7900
GCZ7650D	GCZ7700D	GCZ7700D-8	GCZ7800D	GCZ7800D-8	GCZ7900D-6	GCZ7900D
-	GCZDX770	-	-	-	-	-
-	GCZ7700C	-	-	-	-	-
-	GCZ7700K	-	-	-	-	-
-	GCZTA770	GCZTA770-8	GCZTA780-6	GCZTA780	-	-
D111106	C112506	C121906	C122506	C122508	C162506	C162508
SD-4M	SD-4M	-	SD-5M	SD-5MB	SD-6M	SD-6MB
22	22	22	22	22	22	22



* Additional lead times may apply on coated burrs.
Längere Lieferzeiten dürfen mit beschichteten Hartmetallfrässtiften gefen.

* Délais de livraison peuvent être plus longs pour les fraises limes revêtues.
Las fresas recubiertas pueden tener un plazo de entrega más largo.