

Pneumatic Tools

Small Right Angle Disc Sanders & Grinders



Application Sectors

- Aerospace
- Automotive
- Die and Mould
- Fabrication

Recommended Consumables

- Grinding Discs
- Sanding Discs
- Quick Change Discs
- Mounted Points
- Flap Wheels
- Abrasive Bands

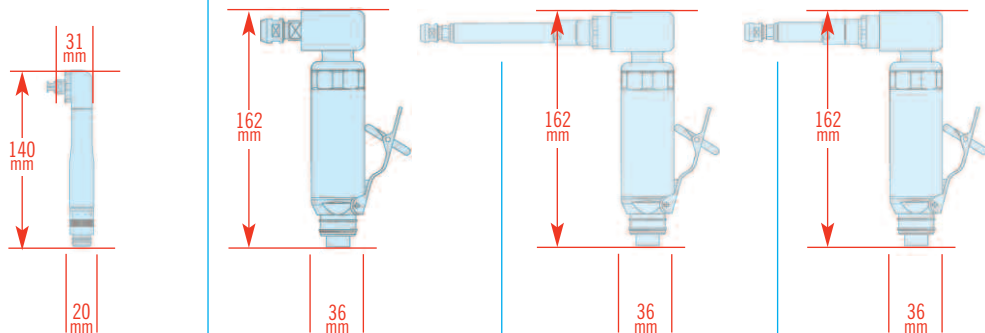
Key Points

- A wide range of speeds to suit every application
- Front, side and rear exhaust options
- Compact design for single handed use
- Optional side handle provides greater control, RA13C only



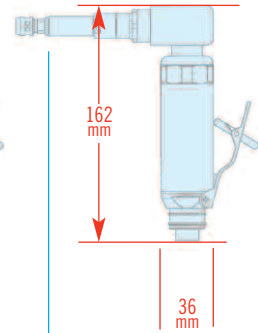
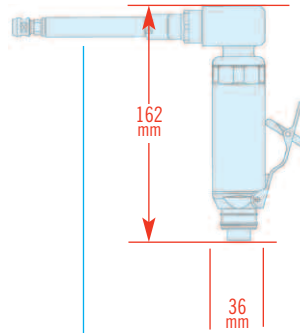
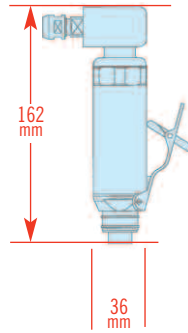
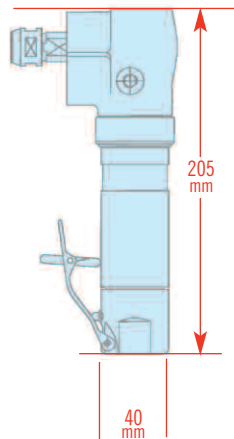
Areas of Use

For sanding, grinding, deburring, finishing and polishing with consumables of 20–75mm diameter

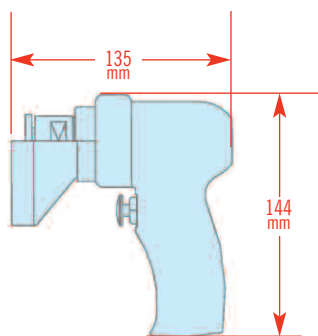


Model Ref.	RP25R	RA20LR	RA20LRX-125	RA20LRX-75
Speed (rpm)	25,000	20,000	20,000	20,000
Power	0.11kW / 0.15Hp	0.30kW / 0.40Hp	0.30kW / 0.40Hp	0.30kW / 0.40Hp
Weight (kgs)	0.23	0.52	0.70	0.65
Noise Level (dbA)	68	74	74	74
Standard Collet (mm)	3 (Type CD)	6 (Type CB)	6 (Type CB)	6 (Type CB)
Air Usage (m ³ /min)	0.20	0.57	0.57	0.57
Exhaust	Rear	Rear	Rear	Rear
Control	Roll Throttle	Lever throttle	Lever throttle	Lever throttle
Hose	Included-1/4"	Included-1/4"	Included-1/4"	Included-1/4"

Small Right Angle Disc Sanders & Grinders



Model Ref.	RA13C	RA10LR	RA10LRX-125	RA10LRX-75
Speed (rpm)	13,000	12,000	12,000	12,000
Power	0.82kW / 1.10Hp	0.30kW / 0.40Hp	0.30kW / 0.40Hp	0.30kW / 0.40Hp
Weight (kgs)	1.5	0.52	0.70	0.65
Noise Level (dbA)	72	71	71	71
Standard Collet (mm)	6 (Type CA)	6 (Type CB)	6 (Type CB)	6 (Type CB)
Air Usage (m ³ /min)	0.92	0.57	0.57	0.57
Exhaust	Front	Rear	Rear	Rear
Control	Lever throttle	Lever throttle	Lever throttle	Lever throttle
Hose	Option-1/4"	Included-1/4"	Included-1/4"	Included-1/4"



Model Ref.	RA17
Speed (rpm)	17,000
Power	0.37kW / 0.50Hp
Weight (kgs)	1.20
Noise Level (dbA)	70
Flange Size (mm)	15.9
Air Usage (m ³ /min)	0.57
Exhaust	Front
Control	Trigger
Hose	Option-1/4"

Application Sectors

- Aerospace
- Automotive
- Die and Mould
- Fabrication

Recommended Consumables

- Grinding Discs
- Sanding Discs
- Quick Change Discs
- Tungsten Carbide Burrs
- Mounted Points
- Flap Wheels
- Abrasive Bands

Key Points

- Supplied complete with direct fitting attachment for ATADISC and SCRULOCK disc systems
- Pistol grip for comfortable single handed operation
- Front exhaust clears chips away from work piece
- Collet chuck option (Type CA) for 3, 6, 8 and 10mm spindles
- Key chuck option for spindles 0.5 to 6mm

Areas of Use

For light sanding, grinding, deburring, finishing and polishing with consumables of 20–75mm diameter

