

Pneumatic Tools

Extended Body Straight Grinders



Application Sectors

- Automotive
- Fabrication
- Foundries
- Shipyards

Recommended Consumables

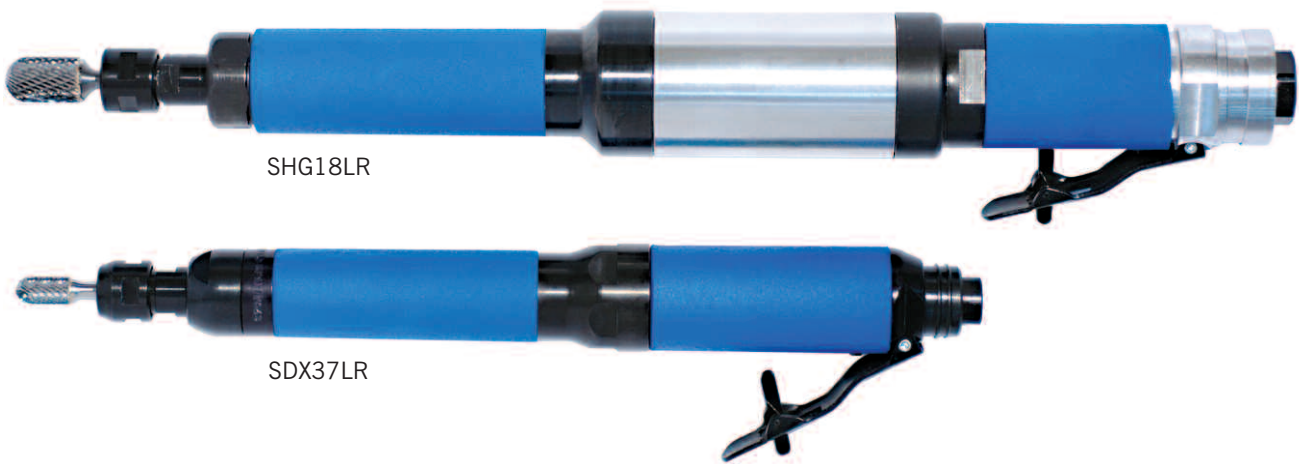
- Tungsten Carbide Burrs
- Mounted Points
- Flap Wheels
- Abrasive Bands

Key Points

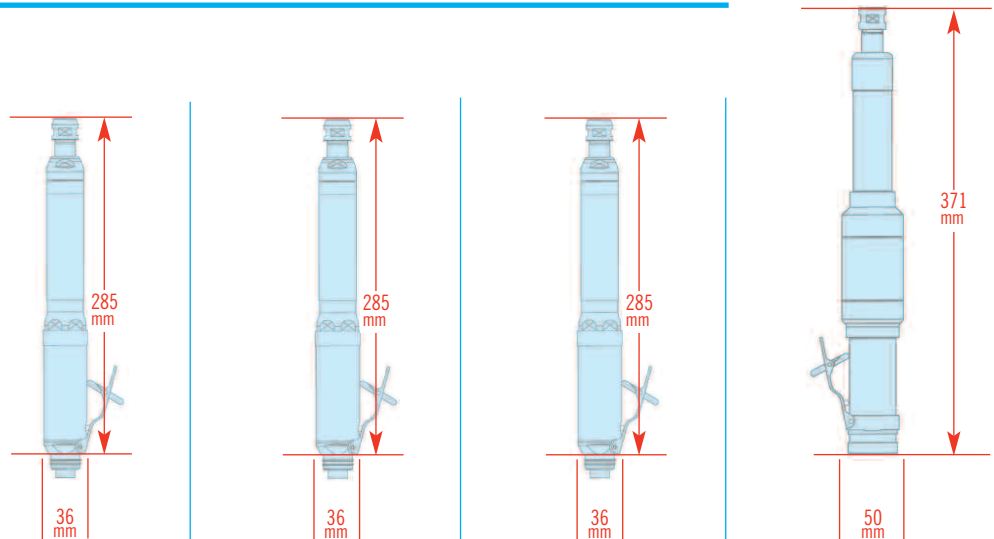
- Extended body for two handed operation and improved control
- Spindle mounted on precision ball bearings for efficient operation
- Wide range of speeds for all applications
- Powerful motor provides good surface finish

Areas of Use

Heavy duty grinding, deburring, sanding and polishing

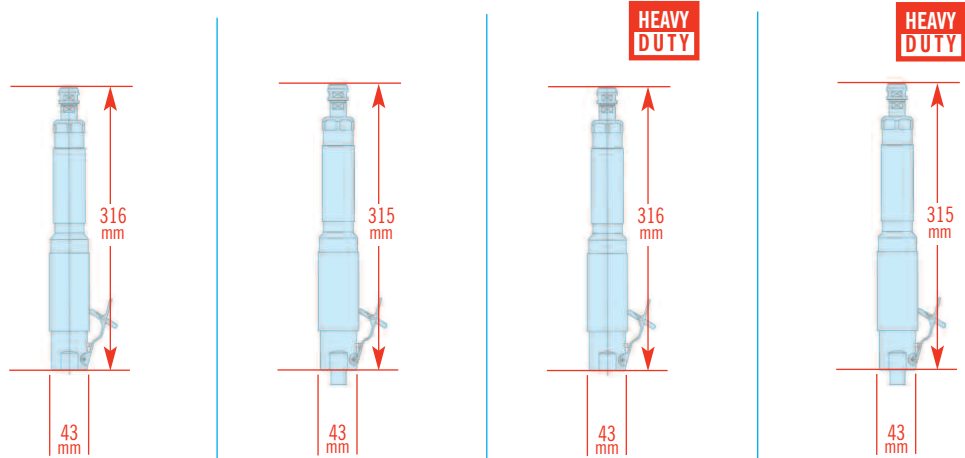


SDX37LR

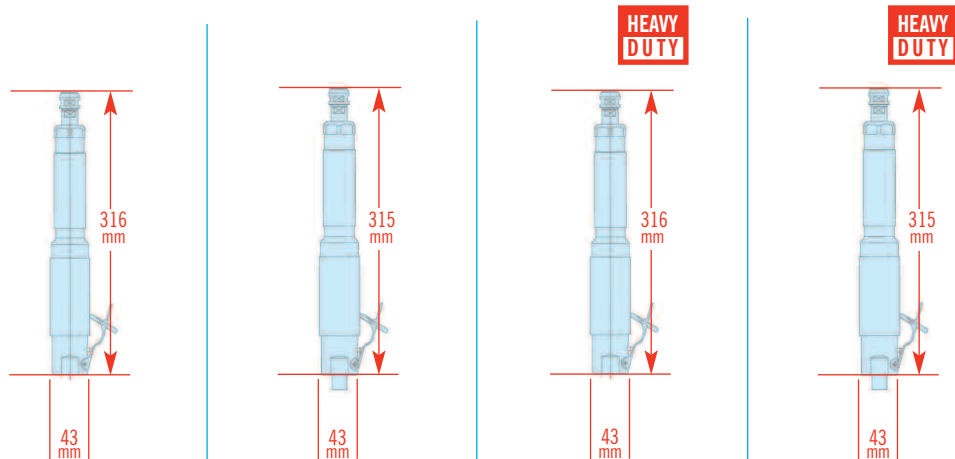


Model Ref.	SDX37LR	SDX30LR	SDX26LR	SHG18LR
Speed (rpm)	37,000	30,000	25,000	18,000
Power	0.30kW / 0.40Hp	0.30kW / 0.40Hp	0.30kW / 0.40Hp	1.12kW / 1.50Hp
Weight (kgs)	0.80	0.80	0.80	2.50
Noise Level (dbA)	74	73	72	70
Standard Collet (mm)	6 (Type CA)	6 (Type CA)	6 (Type CA)	6 (Type CA)
Air Usage (m3/min)	0.57	0.57	0.57	1.13
Exhaust	Rear	Rear	Rear	Rear
Control	Lever throttle	Lever throttle	Lever throttle	Lever throttle
Hose	Included-1/4"	Included-1/4"	Included-1/4"	Included-1/2"

Extended Body Straight Grinders



Model Ref.	STX22L	STX22LR	STX22LHD	STX22LRHD
Speed (rpm)	22,000	22,000	22,000	22,000
Power	0.63kW / 0.85Hp	0.63kW / 0.85Hp	0.63kW / 0.85Hp	0.63kW / 0.85Hp
Weight (kgs)	1.40	1.40	1.60	1.60
Noise Level (dbA)	71	70	71	71
Standard Collet (mm)	6 (Type CA)	6 (Type CA)	6 (Type CA)	6 (Type CA)
Air Usage (m ³ /min)	0.85	0.85	0.85	0.85
Exhaust	Front	Rear	Front	Rear
Control	Lever throttle	Lever throttle	Lever throttle	Lever throttle
Hose	Option-1/4"	Included-1/4"	Option-1/4"	Included-1/4"



Model Ref.	STX16L	STX16LR	STX16LHD	STX16LRHD
Speed (rpm)	16,000	16,000	16,000	16,000
Power	0.63kW / 0.85Hp	0.63kW / 0.85Hp	0.63kW / 0.85Hp	0.63kW / 0.85Hp
Weight (kgs)	1.40	1.40	1.60	1.60
Noise Level (dbA)	66	65	66	65
Standard Collet (mm)	6 (Type CA)	6 (Type CA)	6 (Type CA)	6 (Type CA)
Air Usage (m ³ /min)	0.85	0.85	0.85	0.85
Exhaust	Front	Rear	Front	Rear
Control	Lever throttle	Lever throttle	Lever throttle	Lever throttle
Hose	Option-1/4"	Included-1/4"	Option-1/4"	Included-1/4"

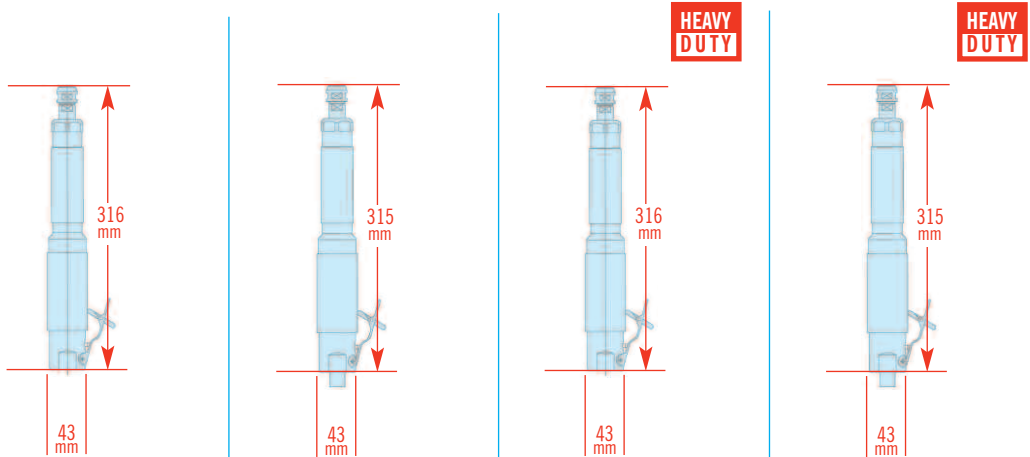
Extended Body Straight Grinders



STX22LRHD



STX22L



Model Ref.	STX10L	STX10LR	STX10LHD	STX10LRHD
Speed (rpm)	10,000	10,000	10,000	10,000
Power	0.63kW / 0.85Hp	0.63kW / 0.85Hp	0.63kW / 0.85Hp	0.63kW / 0.85Hp
Weight (kgs)	1.40	1.40	1.60	1.60
Noise Level (dbA)	65	64	65	64
Standard Collet (mm)	6 (Type CA)	6 (Type CA)	6 (Type CA)	6 (Type CA)
Air Usage (m ³ /min)	0.85	0.85	0.85	0.85
Exhaust	Front	Rear	Front	Rear
Control	Lever throttle	Lever throttle	Lever throttle	Lever throttle
Hose	Option-1/4"	Included-1/4"	Option-1/4"	Included-1/4"