

Pneumatic Tools

High Speed Straight Grinders



Application Sectors

- Aerospace
- Automotive
- Die and Mould

Key Points

- Wide range of tools with speeds to suit every application
- Lightweight designs for single handed operation
- Heavy duty versions available for tough applications

Recommended Consumables

- Tungsten Carbide Burrs
- Mounted Points
- Polishing Points

Areas of Use

Heavy grinding, deburring, general stock removal and polishing



S50

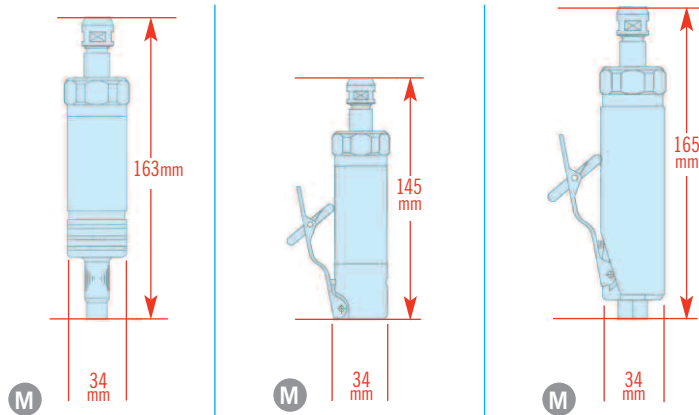
S50LR

SD45R

SD45LR

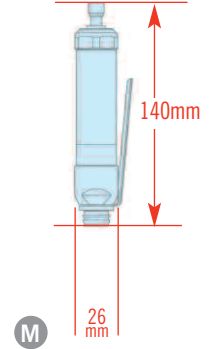
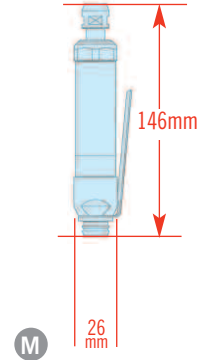
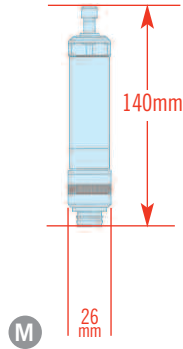
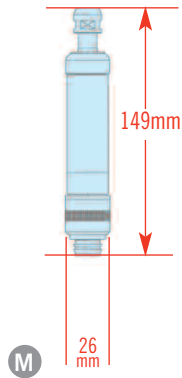
SD37L

SDH37LR

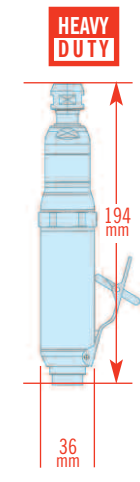
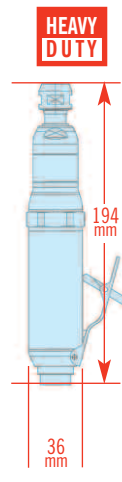
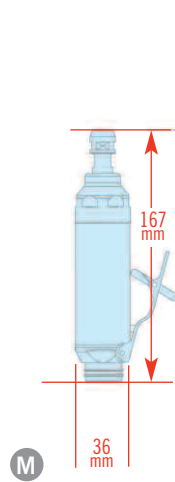
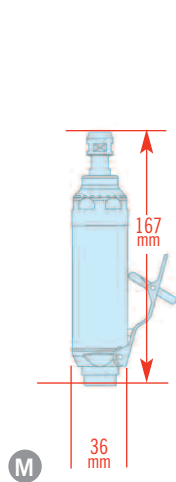


Model Ref.	S50	S50L	S50LR
Speed (rpm)	50,000	50,000	50,000
Power	0.19kW / 0.25Hp	0.19kW / 0.25Hp	0.19kW / 0.25Hp
Weight (kgs)	0.36	0.46	0.46
Noise Level (dbA)	70	70	68
Standard Collet (mm)	6 (Type CB)	6 (Type CB)	6 (Type CB)
Air Usage (m ³ /min)	0.45	0.45	0.45
Exhaust	Front	Front	Rear
Control	Push Pull	Lever throttle	Lever throttle
Hose	Option-1/4"	Option-1/4"	Included-1/8"

High Speed Straight Grinders

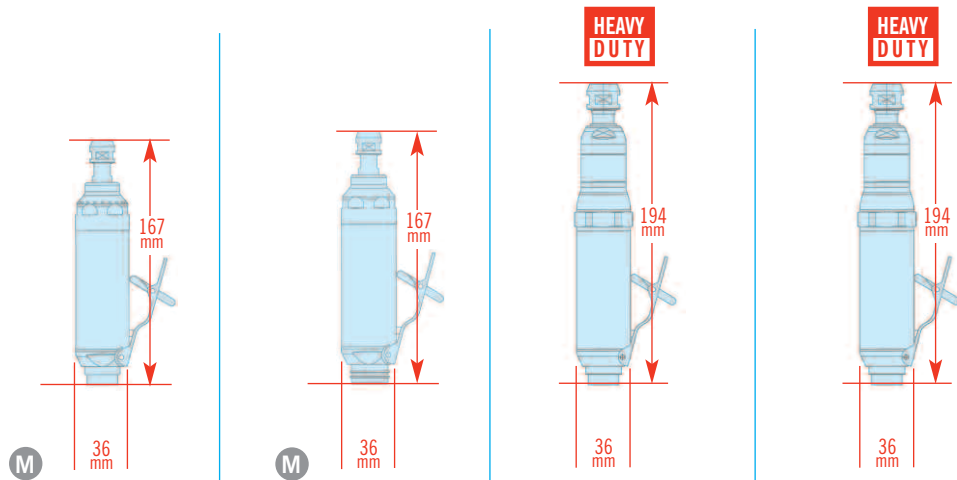


Model Ref.	SD45R	SD45R-CC	SD45LR	SD45LR-CC
Speed (rpm)	45,000	45,000	45,000	45,000
Power	0.15kW / 0.20Hp	0.15kW / 0.20Hp	0.15kW / 0.20Hp	0.15kW / 0.20Hp
Weight (kgs)	0.24	0.24	0.24	0.24
Noise Level (dbA)	64	64	64	64
Standard Collet (mm)	3 (Type CB)	3 (Type CC)	3 (Type CB)	3 (Type CC)
Air Usage (m ³ /min)	0.23	0.23	0.23	0.23
Exhaust	Rear	Rear	Rear	Rear
Control	Roll throttle	Roll throttle	Lever throttle	Lever throttle
Hose	Included-M8	Included-M8	Included-M8	Included-M8

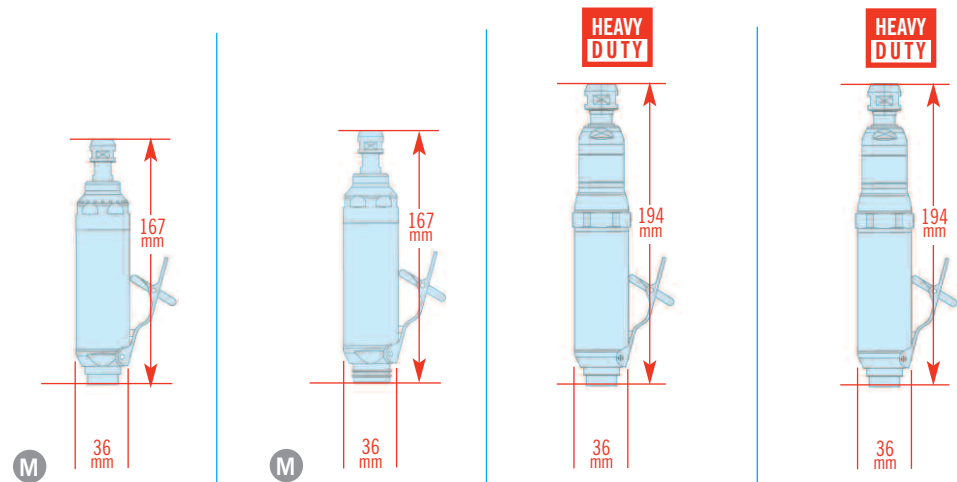


Model Ref.	SD37L	SD37LR	SDH37L	SDH37LR
Speed (rpm)	37,000	37,000	37,000	37,000
Power	0.30kW / 0.40Hp	0.30kW / 0.40Hp	0.30kW / 0.40Hp	0.30kW / 0.40Hp
Weight (kgs)	0.46	0.46	0.56	0.56
Noise Level (dbA)	75	74	75	74
Standard Collet (mm)	6 (Type CB)	6 (Type CB)	6 (Type CA)	6 (Type CA)
Air Usage (m ³ /min)	0.57	0.57	0.57	0.57
Exhaust	Front	Rear	Front	Rear
Control	Lever throttle	Lever throttle	Lever throttle	Lever throttle
Hose	Option-1/4"	Included-1/4"	Option-1/4"	Included-1/4"

High Speed Straight Grinders



Model Ref.	SD30L	SD30LR	SDH30L	SDH30LR
Speed (rpm)	30,000	30,000	30,000	30,000
Power	0.30kW / 0.40Hp	0.30kW / 0.40Hp	0.30kW / 0.40Hp	0.30kW / 0.40Hp
Weight (kgs)	0.46	0.46	0.46	0.46
Noise Level (dbA)	73	73	74	73
Standard Collet (mm)	6 (Type CB)	6 (Type CB)	6 (Type CA)	6 (Type CA)
Air Usage (m ³ /min)	0.57	0.57	0.57	0.57
Exhaust	Front	Rear	Front	Rear
Control	Lever throttle	Lever throttle	Lever throttle	Lever throttle
Hose	Option-1/4"	Included-1/4"	Option-1/4"	Included-1/4"



Model Ref.	SD26L	SD26LR	SDH26L	SDH26LR
Speed (rpm)	25,000	25,000	25,000	25,000
Power	0.30kW / 0.40Hp	0.30kW / 0.40Hp	0.30kW / 0.40Hp	0.30kW / 0.40Hp
Weight (kgs)	0.46	0.46	0.56	0.56
Noise Level (dbA)	73	72	73	72
Standard Collet (mm)	6 (Type CB)	6 (Type CB)	6 (Type CA)	6 (Type CA)
Air Usage (m ³ /min)	0.57	0.57	0.57	0.57
Exhaust	Front	Rear	Front	Rear
Control	Lever throttle	Lever throttle	Lever throttle	Lever throttle
Hose	Option-1/4"	Included-1/4"	Option-1/4"	Included-1/4"