

## Pneumatic Tools

# Right Angle Low Speed Grinders, Sanders & Polishers



## Application Sectors

- Aerospace
- Automotive
- Die and Mould
- Fabrication
- Foundries
- Shipyards

## Recommended Consumables

- Grinding Discs
- Sanding Discs
- Quick Change Discs
- Flap Wheels
- Abrasive Bands

## Key Points - RAB4LR

- Designed to reduce overheating and sparking on titanium
- Planetary gear system provides high torque at low speeds
- Extended range available for hard to reach areas

## Areas of Use - RAB4LR

For grinding, sanding, finishing and polishing work on titanium, stainless steel, aluminium, fibre glass and wood

## Key Points - RA5/RA2

- Oil re-circulation system prolongs gear life
- Low height improves access to work piece
- Lightweight and durable construction
- Side handle may be fitted left or right to suit operator

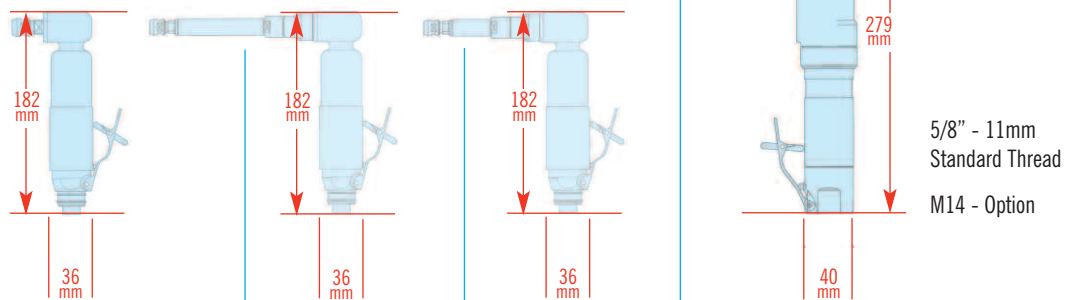
## Areas of Use - RA5/RA2

For grinding and sanding operations with consumables of 178-230mm diameter



RAB4LR

RA5



All have Lever Control

Model Ref.	RAB4LR	RAB4LRX-125	RAB4LRX-75	RA5	RA2
Speed (rpm)	3,500	3,500	3,500	5,500	2,700
Power	0.30kW / 0.40Hp	0.30kW / 0.40Hp	0.30kW / 0.40Hp	0.82kW / 1.10Hp	0.82kW / 1.10Hp
Weight (kgs)	0.69	0.71	0.70	2.75	2.75
Noise Level (dbA)	67	67	67	69	68
Standard Collet (mm)	6 (Type CB)	6 (Type CB)	6 (Type CB)	-	-
Flange Size (mm)	-	-	-	22.2	22.2
Air Usage (m <sup>3</sup> /min)	0.57	0.57	0.57	0.92	0.92
Exhaust	Rear	Rear	Rear	Front	Front
Hose	Included-1/4"	Included-1/4"	Included-1/4"	Option-1/4"	Option-1/4"